

SUPPLEMENT

TO THE

NEW ZEALAND GAZETTE

OF

THURSDAY, MAY 17, 1906.

Published by Authority.

WELLINGTON, THURSDAY, MAY 17, 1906.

CONTENTS.

	Page
Notice	1331
Official Notices	1331
Applications for Letters Patent filed	1332
Complete Specifications accepted	1333
Provisional Specifications accepted	1336
Letters Patent sealed	1336
Letters Patent on which Fees have been paid	1336
Subsequent Proprietors of Letters Patent registered	1336
Request for Correction of Clerical Error allowed	1336
Applications for Letters Patent abandoned	1337
Applications for Letters Patent void	1337
Applications for Letters Patent lapsed	1337
Letters Patent void	1337
Design registered	1337
Applications for Registration of Trade Marks	1337
Trade Marks registered	1341
Subsequent Proprietor of Trade Mark registered	1341
Trade Marks removed from the Register	1341
Application for Trade Mark withdrawn	1341
Trade Mark Registration cancelled	1341
Illustrations of Inventions.	

Notice.

CLASSIFIED abridgments of inventions patented in the United Kingdom from 1900 to 1904 are now available for inspection in the library attached to this office.

Official Notices.

THE following publications relating to Patents for inventions, &c., are open to inspection in the colony:—

WELLINGTON.—PATENT OFFICE LIBRARY.

United Kingdom.

The full text of the specifications and complete drawings of inventions patented from the year 1617 up to the 25th January, 1906.

A

Classified abridgments of inventions from 1855 to 1904. Illustrated Official Journal, containing lists of recent applications, abridgments of inventions for which patents have been lately granted, patents void, &c., to March, 1906.

Index of Applicants.
Subject-matter Index.
Commissioner of Patent Journal, &c. (*).
Trade Marks Journal to February, 1906.

Canada.

Patent Office Record (containing illustrated abridgments of inventions, &c.) to September, 1905.

Australia.

The Official Journal of Patents of the Australian Commonwealth (containing lists of applications for letters patent, abridgments of complete specifications accepted, &c.).

The Gazettes of the various States (containing lists of applications for registration of trade marks, &c.).

Specifications, drawings, abridgments, and indexes of Victoria, New South Wales, Queensland, and South Australia (b).

United States.

The Official Gazette of the United States Patent Office (containing illustrated abridgments of specifications, &c.) to March, 1906.

Mexico.

The Official Gazette of the Patent and Trade Mark Office.

General.

La Propriété Industrielle (the official organ of the International Bureau of the Union for the Protection of Industrial Property).

Patent laws of the world.
Patent and Trade Mark Review.
Text-books and handbooks on patents and trade marks.

AUCKLAND.—PUBLIC LIBRARY.

United Kingdom.

Classified abridgments of inventions from 1855 to 1900. Illustrated Official Journal from 1897 to date.

Canada.

Patent Office Record (containing illustrated abridgments of inventions, &c.) from 1897 to date.

Australia.

The Official Journal of Patents from 1905 to date.

United States.

The Official Gazette of the United States Patent Office (containing illustrated abridgments of specifications, &c.) from 1885 to 1887 and 1890 to 1895.

CHRISTCHURCH.—PUBLIC LIBRARY.

United Kingdom.

Classified abridgments of inventions from 1855 to 1900.
Illustrated Official Journal from October, 1905, to date.

Canada.

Patent Office Record (containing illustrated abridgments of inventions, &c.), from 1897 to date.

Australia.

The Official Journal of Patents from 1905 to date.

DUNEDIN.—TOWN HALL.

United Kingdom.

Classified abridgments of inventions from 1855 to 1900.
Illustrated Official Journal from October, 1905, to date.

BOOKS AND DOCUMENTS OPEN TO INSPECTION.

The following documents and books are open to public inspection at the Patent Office:—

Patents.

(Fee for each search or inspection, not exceeding one hour, 1s.)

1. The files relating to all applications for letters patent in respect of which complete specifications have been accepted.
2. Classified copies of specifications and drawings, with index and key^(a).
3. Register of Application for Letters Patent.
4. Register of Patents.
5. Register of Subsequent Proprietors of Letters Patent^(d).
6. Index of Patentees^(e).
7. Index of Proprietors of Letters Patent granted prior to 1890^(f).
8. Index of Specifications^(g).

Designs.

(Search fee, 1s. each quarter of an hour.)

1. Register of Designs, with Index of Names of Proprietors.
2. Classified Representations of Designs in respect of which Copyright has expired.
3. Index of Designs.

Trade Marks.

(Search fee, 1s. each quarter of an hour.)

1. The files relating to all applications for registration of trade marks.
2. Register of Applications for Registration of Trade Marks.
3. Register of Trade Marks.
4. Index of Applicants for Registration of Trade Marks^(h).
5. Index of Trade Marks.
6. Classified Representations of Trade Marks, with indexes.

Miscellaneous.

Register of Patent Agents.

FORMS.

The following forms, &c., may be had on application:—

- Application for letters patent.
- Provisional specification.
- Complete specification and copy thereof.
- Application for registration of design.
- Application for registration of trade mark.
- Applications for extension of time.
- Requests by subsequent proprietor to enter name on Register of Patents and Trade Marks.
- Printed sheets of information as to fees and procedure to obtain letters patent and to register a trade mark⁽ⁱ⁾.
- Pamphlet containing Act and Regulations (price 1s.).

OFFICIAL PUBLICATIONS.

The following publications may be obtained from the Government Printer, Wellington:—

- Printed specifications to the end of the year 1879.
- Annual lists of letters patent and letters of registration applied for, and particulars of applications lapsed, and patents lapsed, from 1880 to 1888 inclusive,

Annual reports of the Registrar, containing alphabetical lists of applicants for letters patent and of inventions patented from 1889 to 1904 inclusive.

The Patents Supplement to *Gazette* (containing notifications, applications for letters patent, abridged descriptions and drawings of inventions, &c.), published fortnightly.

LOCAL PATENT OFFICES.

Local patent offices for the reception of applications for letters patent without extra payment have been appointed at the following places: Ashburton, Auckland, Blenheim, Christchurch, Dunedin, Gisborne, Greymouth, Hokitika, Invercargill, Napier, Nelson, New Plymouth, Oamaru, Queenstown, Thames, Timaru, Wanganui, Westport. These are situated in the Supreme Court Buildings and S.M. Court Houses.

PATENT AGENTS.

A list of registered patent agents may be obtained on application.

- (a) Discontinued.
- (b) In arrear. Not now being printed.
- (c) Key is in card index.
- (d) This Register contains only names of subsequent proprietors of letters patent granted prior to 1st January, 1890; since that date they appear in Register of Patents.
- (e) Includes all names of applicants, &c., and consists of four volumes to 4th November, 1903, and card index since that date. A separate card index is kept for current quarter.
- (f) The names of proprietors of subsequent letters patent appear in the Index of Patentees.
- (g) Contains classified abridgments of specifications from 1861, with extracts from drawings from July, 1904.
- (h) Names of applicants for registration and proprietors of trade marks are indexed at the beginning of the Registers up to 31st December, 1889; in separate volume up to 5th September, 1904; and since the latter date are in card index.
- (i) May also be obtained at any local Patent Office or money-order office.

Applications for Letters Patent filed.

LIST of applications for Letters Patent filed. (Where a complete specification accompanies an application an asterisk is suffixed; in all other cases a provisional specification has been lodged. In cases where the applicant is not the inventor the name of the latter appears in italics after the title.)

- No. 21071.—30th April.—T. W. Coulthard, Mangapai, N.Z.
Wire-fence binder.
- No. 21072.—3rd May.—United Shoe Machinery Company, Paterson, U.S.A.
Bootmaking machine. (*A. E. Jerram and A. Bates.*)
- No. 21073.—3rd May.—United Shoe Machinery Company, Paterson, U.S.A.
Bootmaking machine. (*J. P. Pride and A. Bates.*)
- No. 21074.—3rd May.—G. Chessell, Brunswick, Vic.
Encased springs.
- No. 21075.—3rd May.—W. Pilgrim, East Brunswick; A. Liddell, Abbotsford; and W. Dimmick, Northcote, Vic.
Boot-upper.*
- No. 21076.—3rd May.—D. Klein, Roanoke, U.S.A.
Milking-machine.*
- No. 21077.—3rd May.—W. Blackmore and A. Howard, London, Eng.
Treating ores containing gold and silver. (Date applied for under section 106, 4th September, 1905.)
- No. 21078.—3rd May.—T. W. Witt, Wellington, N.Z.
Parcel-straps.
- No. 21079.—3rd May.—F. W. Medhurst, Hobart, Tas.
Portable telephone and telegraph.
- No. 21080.—3rd May.—E. S. Evelyn, Hobart, Tas.
Non-refillable bottle.
- No. 21081.—3rd May.—A. Crichton and W. Williams, Dunedin, N.Z.
School desk and chair.
- No. 21082.—26th April.—A. G. Tomkies, Westport, N.Z.
Door and cupboard fastener.
- No. 21083.—1st May.—J. L. Jopp and W. Murphy, Arrowtown, N.Z.
Brakes.
- No. 21084.—1st May.—G. W. C. Shirley, Dunback, N.Z.
Carrier for rabbits and traps.
- No. 21085.—3rd May.—G. J. Brown and E. Toms, Palmerston North, N.Z.
Metal-piping machine.

- No. 21086.—4th May.—D. McKenzie, Invercargill, N.Z.
Attaching tags to flax-bales.*
- No. 21087.—4th May.—W. O. Beere, Wellington, N.Z.
Drawing-instrument.*
- No. 21088.—28th April.—J. Hamilton, Winton, N.Z.
Sliding fence.
- No. 21089.—3rd May.—F. G. Semb, Christchurch, N.Z.
Venetian blind.
- No. 21090.—4th May.—A. Noble, Christchurch, N.Z.
Guard-rail of tram.
- No. 21091.—5th May.—E. M. Barker, Featherston, N.Z.
Cooling milk.*
- No. 21092.—5th May.—J. B. Barker, Featherston, N.Z.
Can for holding and agitating cream.*
- No. 21093.—4th May.—W. G. Barger, Melbourne, Vic.
Disc plough.
- No. 21094.—4th May.—Window Glass Machine Company,
Pittsburg, U.S.A.
Drawing hollow glass articles.* (J. H. Lubbers.)
- No. 21095.—4th May.—A. Crichton and W. Williams,
Dunedin, N.Z.
Adjustable swivelling seat.
- No. 21096.—4th May.—W. F. Lietz, Dunedin, N.Z.
Hydraulic-pressure apparatus.
- No. 21097.—7th May.—H. Davies and H. P. Rasmussen,
Geraldine, N.Z.
Closet-pad.
- No. 21098.—7th May.—J. W. Butterworth, Auckland,
N.Z.
Propeller-blades.
- No. 21099.—5th May.—W. H. Stichling, Sale; A. W.
Wilson, Melbourne; R. S. Overend, J. E.
Paterson, and E. Masters, Sale.
Butter-box.
- No. 21100.—8th May.—S. J. E. Jørgensen, East Brighton,
Vic.
Loading cargo.*
- No. 21101.—8th May.—F. J. McCarty, San Francisco,
U.S.A.
Wireless telephone.*
- No. 21102.—8th May.—A. S. Heideman, Gympie, Q.
Railway and tramway points.*
- No. 21103.—8th May.—H. Bairstow, Ashburton, N.Z.
Draught, &c., excluder.
- No. 21104.—5th May.—E. Burke and H. L. Mainland,
Burkes, N.Z.
Kitchen-range.*
- No. 21105.—9th May.—G. Meller and H. C. Walch, Hobart,
Tas.
Safety catch.*
- No. 21106.—9th May.—W. J. C. Downey, S. Perth, W.A.
Vernier elevator.* (Date applied for under
section 106, 20th March, 1906.)
- No. 21107.—9th May.—J. Logan, Branchal, Scotland,
and J. Margulies, London, Eng.
Paper-tube machine.*
- No. 21108.—9th May.—L. H. Hicks, Williamstown, and
A. N. Cooke, Richmond, Vic.
Boot and shoe tips.*
- No. 21109.—9th May.—E. Crook, S. Yarra, Vic.
Boot-upper.
- No. 21110.—9th May.—H. C. Price, Waverley, N.S.W.
Candle.
- No. 21111.—9th May.—A. H. Russell, Kalgoorlie, W.A.
Destroying rabbits. (C. Hillman and H. J.
Holloway.)
- No. 21112.—9th May.—A. H. Russell, Kalgoorlie, W.A.
Detecting escape of poisoned fumes. (C.
Hillman and H. J. Holloway.)
- No. 21113.—9th May.—C. J. Walker, Fitzroy, Vic.
"Pump" shoes.
- No. 21114.—9th May.—H. W. McClellan, Hawthorn,
Vic.
Gas water-heater.
- No. 21115.—9th May.—S. F. Mudge, Albury, N.S.W.
Wheel-tire.* (Date applied for under sec-
tion 106, 31st August, 1905.)
- No. 21116.—9th May.—J. P. Johansson, Enköping, Swe-
den.
Centrifugal separator.*
- No. 21117.—9th May.—H. Moister, North Botany, N.S.W.
Cooking-device.*
- No. 21118.—9th May.—E. J. Dungan, Richmond, Vic.
"Blocking" boots and shoes.
- No. 21119.—9th May.—H. Trinder and F. C. Engeler,
Ballarat, Vic.
Gold-saving table.*
- No. 21120.—9th May.—T. R. Morris, Melbourne, Vic.
Cardboard box.*
- No. 21121.—7th May.—R. Andrews, W. O. McFadden,
and D. Whitburn, Auckland, N.Z.
Traps or gratings for drain-pipes.
- No. 21122.—10th May.—D. McKinnon, Dunedin, N.Z.
Seed and grain sower.*
- No. 21123.—10th May.—F. A. Lakin, Napier, N.Z.
Fencing-wire clip.*
- No. 21124.—7th May.—T. Greenall, Dunedin, N.Z.
Tire-heater.*
- No. 21125.—8th May.—V. Bordigoni, Paris, France.
Treatment of sewage.*
- No. 21126.—8th May.—W. Clark, Lowburn, N.Z.
Trap-chain.
- No. 21127.—8th May.—H. Daniels, South Brisbane, Q.
Potato digger and grader.
- No. 21128.—9th May.—T. Hogan, Wanganui, N.Z.
Breeches and trousers.
- No. 21129.—11th May.—O. K. Carlson, Clydevale, N.Z.
Mode of growing strawberries.
- No. 21130.—11th May.—T. G. Jefferson, Dunedin, N.Z.
Sluice-box.
- No. 21131.—11th May.—J. W. Smitham and J. Perks,
Christchurch, N.Z.
Trolley-pole.
- No. 21132.—11th May.—J. O. F. Howarth, Winton, and
J. H. Smith, Barringtons, N.Z.
Non-refillable bottle.
- No. 21133.—9th May.—J. Anderson and J. D. Hunter,
Dunedin, N.Z.
Cheese-press.*
- No. 21134.—12th May.—I. Lewis, Hokitika, N.Z.
Treatment of quartz for gold-saving.
- No. 21135.—12th May.—F. J. Lissington, Karori, N.Z.
Fire-kindler.
- No. 21136.—10th May.—B. Blick, Blenheim, N.Z.
Rabbit-trap.
- No. 21137.—10th May.—F. A. Tregelles, New Plymouth,
N.Z.
Ferro-concrete lateral reinforcements.*
- No. 21138.—10th May.—J. C. Chisholm and A. W. Norton,
Dunedin, N.Z.
Cutting plastic material.*
- No. 21139.—14th May.—E. J. Shields, Tomoana, N.Z.
Gambrel.*
- No. 21140.—11th May.—F. H. Mingay, Berfield, Scotland.
Golf-ball.*
- No. 21141.—11th May.—J. C. Burns, Wyndham, N.Z.
Blight-preventer.*
- No. 21142.—15th May.—T. E. Taylor, Christchurch, N.Z.
Tram-rail cleaner.
- No. 21143.—15th May.—H. Harper, Kaiapoi, N.Z.
Scoop for cleaning gutters, &c.
- No. 21144.—15th May.—J. E. Beckwith, Palmerston
North, N.Z.
Wheel for motor vehicles, &c.*
- No. 21145.—15th May.—G. Roberts, Utiku, N.Z.
Riding-stirrups.
- No. 21146.—15th May.—G. E. Churches, Te Awamutu, N.Z.
Cleaner for flexible tubes.
- No. 21147.—12th May.—F. Gough, Stafford, N.Z.
Cow-leg holder.
- No. 21148.—12th May.—J. Barden, Dunedin, N.Z.
Bird-trap.
- No. 21149.—16th May.—J. Wilson, Fitzroy, Vic.
Upholstery and coach-trimming.
- No. 21150.—16th May.—R. W. Jeffrey, Eaglehawk, Vic.
Safety-bucket device.* (J. H. Pickles.)
- No. 21151.—16th May.—E. McClelland, Melbourne, Vic.
Green-pea sheller.* (J. Cuthbert.)
- No. 21152.—16th May.—F. C. J. Olsen, Lyttelton, N.Z.
Wardrobe.
- No. 21153.—16th May.—T. I. Roberts, Hobart, Tas.
Locks for doors.*
- No. 21154.—16th May.—R. M. Jolly, Petersham, N.S.W.
Separation of tin from tinned iron.*
- No. 21155.—16th May.—A. Artom, Turin, Italy.
Wireless-telegraphy receiver.*
- No. 21156.—16th May.—E. S. Evelyn, New Town, Tas.
Closure for hermetically sealed receptacles.*

Notice of Acceptance of Complete Specifications.

Patent Office,
Wellington, 16th May, 1906.

COMPLETE specifications relating to the undermen-
tioned applications for Letters Patent have been
accepted, and are open to public inspection at this office.
Any person may, at any time within two months from the
date of this Gazette, give me notice in writing of opposition

to the grant of any such patent. Such notice must set forth the particular grounds of objection, and be in duplicate. A fee of 10s. is payable thereon.

No. 19262.—28th March, 1905.—HARRY REID, of 84 Willis Street, Wellington, New Zealand, Signwriter and Advertising Contractor. Improvements in signs fixed or portable for advertising purposes.*

Claim.—In means for displaying advertisements, signs, or the like, a box, the inside surface of which is provided with reflecting faces, and the front of which is formed of fluted or faceted glass arranged at a distance from the back of the box, and upon which the signs or other matter is imprinted, and means for throwing light upon the reflecting surfaces, substantially as specified.

(Specification, 2s. 3d.; drawing, 1s.)

No. 19434.—5th May, 1905.—ROBERT HENRY CARTER, of Wellington, New Zealand, Settler. Improvements in or relating to hames.*

Claims.—(1.) In means for fastening hames, a link or links articulated to one of the members in combination with a lever hook pivoted to the other member, such hook being formed with a notch into which a link shall be adapted to fit, and so pivoted upon the hame as to provide for an eccentric movement to the notch, and for a tightening pull upon the links when the hook is turned upon its pivot, the hook being also adapted to lie against the face of the hame so as to confine the link within the notch, and to be retained in that position by the strain on the links, substantially as specified. (2.) The general arrangement, construction, and combination of parts in my improvements in or relating to hames, substantially as described and explained, as illustrated in the drawings, and for the several purposes set forth.

(Specification, 3s. 3d.; drawing, 1s.)

No. 19457.—12th May, 1905.—ALFRED HENRY WYLDs, of Palmerston North, New Zealand, Sawmillier. Improvements in or relating to window-locks.*

Extract from Specification.—The whole of my invention consists in the special form of ratcheted bar and its position upon the sash-frame edge, combined with a special form of spring tooth or pawl.

[NOTE.—The above extract from the specification is inserted in place of the claims.]

(Specification, 5s.; drawing, 1s.)

No. 19479.—16th May, 1905.—JAMES GRAY, of Dunedin, New Zealand, Agricultural-Implement Maker and Importer. Improvements in cultivators.*

Claims.—(1.) For the purpose indicated, a tine having its upper part bent into a horizontal position, a bracket having its ends formed into eyes adapted to receive the horizontal part of the tine, a spiral spring passed upon the tine within the bracket, and a collar secured to the tine by a set-screw, substantially as specified. (2.) For the purpose indicated, a tine having its upper part bent into horizontal position, a bracket having its ends formed into eyes adapted to receive the horizontal part of the tine, and spring means tending to push the tine forwardly, substantially as specified. (3.) The combination and arrangement of parts comprising the improvements in cultivators, substantially as and for the purposes specified and illustrated in the drawing.

(Specification, 2s. 3d.; drawing, 1s.)

No. 19587.—14th June, 1905.—WILLIAM HENRY HANNAM, of Castlereagh Street, Sydney, New South Wales, Australia, Manufacturer. Improvements in gas-fired bath-water heaters.*

Claims.—(1.) In a bath-water heater, the combination of gas-burners M in the base of a hollow column A, a conical annular space D immediately over said burners, a baffle above the same, a liner F surrounding the baffle, an annular cap plate J, and a water-fountain spraying water against said plate J, substantially as described. (2.) A bath-water heater comprising a tubular column with gas-fire in the lower end, a conical liner forming with the shell of the column an annular conical chamber above the gas-flames and open at the top, and liners and baffles to deflect the rising gas-vapours, and water-spray emitted from a central fountain so as to

promote an intimate mixture thereof and to direct the warmed water into said conical chamber for final heating therein, substantially as described. (3.) Valves for a gas-fired bath-water heater consisting of water and gas inlets with closures controlled by a loose yoke, which is moved by the rotation of a screwed stem, and a spring insuring the opening of the water service before the opening of the gas service, and the closing of said water service before said gas service, substantially as described. (4.) The described water and gas valve for a bath-water heater, consisting of a water inlet closed by a valve X, a gas inlet closed by a valve W, a spring Y tending to keep the valve W closed, a yoke V carrying at its ends the stems of the valves X and W, and fitting loosely so as to rock freely on the neck of the stem S, which is screwed into the nut U and controlled by the handle R. (5.) In a gas-fired water-heater, the combination and general arrangement of parts substantially as shown in the drawings.

(Specification, 4s. 3d.; drawings, 2s.)

No. 19680.—5th July, 1905.—WILLIAM PERCY SIMMONDS, of Ohio Road, Wellington, New Zealand, Cabinetmaker. An improved device for teaching music.*

Claims.—(1.) Apparatus for the purpose indicated, consisting of the parts constructed, arranged, combined, and operating, substantially as specified and as illustrated in the drawing. (2.) For the purpose indicated, apparatus in which a musical note is sounded simultaneously with the exhibition of the corresponding printed note, substantially as specified and illustrated. (3.) For the purpose indicated, in combination, a strip printed to indicate musical notes, mechanism for sounding notes corresponding to those printed upon the said strip, with means for indicating a note upon the strip when the corresponding note is sounded, substantially as specified and illustrated.

(Specification, 3s. 6d.; drawing, 1s.)

No. 19692.—8th July, 1905.—CHARLES COOK, of Makarewa, Southland, New Zealand, Carpenter. Improved shears for cutting cloth and the like materials.*

Claims.—(1.) An improved shears, comprising a pair of revolvably mounted superposed discs, having their peripheries sharpened and overlapping, and a bifurcated bracket in which the discs are mounted, said bracket having a forward extension from its lower member and a rearwardly projecting handle, substantially as specified and shown in the drawing. (2.) An improved shears, consisting of the parts constructed, arranged, combined, and operating, substantially as specified and shown in the drawing.

(Specification, 1s. 9d.; drawing, 1s.)

No. 19700.—10th July, 1905.—FRANCIS THOMAS McANULTY, of Lincoln, Canterbury, New Zealand, Ploughman. Improved tine and weed-clearing arrangement for employment upon harrows, cultivators, and the like.*

Claims.—(1.) For the purpose indicated, a bifurcated tine fixed to the frame of an agricultural implement, a rocking-shaft mounted in bearings upon the frame, a clearing-arm fixed to the rocking-shaft and projecting into the bifurcation of the arm, and means for rocking the shaft, substantially as set forth. (2.) In combination with a tine and clearing-arm constructed as specified in Claim 1, curved horns secured to the frame above the clearing-arm, substantially as specified. (3.) In combination with a tine and clearing-arm constructed as specified in Claim 1, an angle bar pivoted to the rocking-shaft and projecting into the bifurcation of the tine, and a pin in the tine to check the ascent of the angle bar, substantially as specified. (4.) In combination with a tine and clearing-arm constructed as specified in Claim 1, a cradle secured to the frame at the rear of the rocking-shaft, and comprising curved bars and wooden ends, substantially as set forth. (5.) The combination and arrangement of parts comprising the improved tine and weed-clearing arrangement for employment upon harrows, cultivators, and the like, substantially as and for the purposes set forth and illustrated.

(Specification, 3s. 3d.; drawings, 1s.)

No. 19704.—11th July, 1905.—TEWI TIAMANA RAWHITI, of Hamilton, New Zealand, Private Secretary. An improved jack for wagons and other vehicles.*

Claim.—A lifting-jack for wagons and the like, comprising a pair of frames placed end to end combined with a block

having reversely threaded bars extending out from opposite sides thereof and screwing into the adjacent ends of the respective blocks, such jack being connected to the wagon in such a manner that when not in use it shall form a portion of the underframe of the wagon, substantially as specified. (Specification, 2s. 3d.; drawing, 1s.)

No. 19743.—17th July, 1905.—GEORGE BARRETT, of Manurewa, Auckland, New Zealand, Farm-labourer. Improved adjustable tool-holder.*

Claims.—(1.) For the purpose indicated, in combination, a tubular handle, a stem upon a tool having a notch and a pointed end, a spring let into a recess in the handle, a catch upon the end of the spring adapted to engage the said notch. (2.) The combination and arrangement of parts comprising the improved adjustable tool-holder, substantially as and for the purpose set forth and illustrated in the drawing. (Specification, 2s.; drawing, 1s.)

No. 20173.—10th October, 1905.—WILLIAM GEORGE MEDDINGS, of Remuera, near Auckland, New Zealand, Inspector of New Zealand Telegraphs. An automatic electric fire-alarm.*

[NOTE.—The title in this case has been altered from that set out in the provisional specification.]

Extract from Specification.—The main novel feature of this invention is the disc or piece of metal made of a mixture of bismuth, tin, and lead, which will soften in a temperature of 150° Fahrenheit, which is adjusted as stated so as to be in touch with and pressed by the lower end of the brass rod, the brass rod having its lower end in touch with and pressing against the disc or piece of metal and its upper end in touch with and pressing against the movable contact; and with the inclusion of this main feature the device as a whole is novel, as the inventor is not aware of any construction having similar parts which will give like results.

[NOTE.—The above extract from the specification is inserted in place of the claims.]

(Specification, 4s.; drawing, 1s.)

No. 20650.—29th January, 1906.—HENRY EDWIN McDONALD, of Petone, New Zealand, Merchant. An improved egg-carrier.*

Claims.—(1.) In means for carrying eggs, holders each one formed by a strip of cardboard or other resilient material divided longitudinally into a number of separate strips extending between and connected to horizontal members, such strips being adapted to open out from each other so as to be adapted to receive an egg when the horizontal members are brought towards each other, and to close so as to closely envelope the egg when they are forced apart, substantially as specified. (2.) In means for carrying eggs, a holding-frame composed of horizontal members and of holders, each one formed by a strip of cardboard or other resilient material divided longitudinally into a number of separate strips extending between and connected to the horizontal members, and adapted to open when such members are brought together so as to be adapted to receive an egg, and to close when they are forced apart so as to closely envelope the egg, means whereby they may be kept apart, and a box adapted to receive the frame, substantially as specified.

(Specification, 3s. 6d.; drawing, 1s.)

No. 20686.—8th February, 1906.—JONATHAN TREVETHICK, of Auckland, New Zealand, Brush-manufacturer. Improvements in or relating to the manufacture of brooms and brushes.

Claim.—In means for securing the fibres of brooms or brushes in the heads, a hole bored in the surface of the head in combination with a metal peg of slightly greater length than the diameter of the hole adapted to be placed transversely across a bundle of the fibre laid over the mouth of the hole, and to be driven horizontally therinto so as to double over the fibre and carry it with it, and a wooden block of such a size as to be readily capable of entering the hole in the head, adapted to be driven into and force the metal peg into the hole, substantially as specified.

(Specification, 2s. 3d.; drawing, 1s.)

No. 20773.—26th February, 1906.—NIELS NIELSEN, of Maranui, Wellington, New Zealand, Builder. Improvements in roofing-tiles.

Claims.—(1.) In a rectangular roofing-tile, zinc gutters beneath the vertical joints, the top of the said gutters resting upon the purlins and the bottom of the gutters resting on the next lower row of tiles, there being grooves and bridge-pieces at the top and bottom respectively of the tiles to receive the gutters, substantially as set forth. (2.) Means for securing a tile upon a roof, comprising a lug on the lower side of the tile, a wire secured to a nail and passing through a hole provided in the lug, and then secured to another nail, the said nails being driven into the purlin, substantially as specified.

(Specification, 3s. 9d.; drawings, 2s.)

No. 20781.—24th February, 1906.—ANDREW TAIT WALKER ALLAN, of Amy Street, Thames, New Zealand, Miner. An improved chimney-top.

Claims.—(1.) My improved chimney-top, substantially as described, and as illustrated by drawings. (2.) A chimney-top consisting of a pipe into which are fixed three or more air channels or passages connected to holes cut in the pipe, each hole being surmounted on the outside of the pipe by a small verandah, substantially as described, and all illustrated in drawings.

(Specification, 1s. 6d.; drawing, 1s.)

No. 20886.—21st March, 1906.—CHARLES KENDRICK, of Silverhope, via Hunterville, Wellington, New Zealand, Inventor. An improved lid for saucepans and similar utensils.

Claims.—(1.) A lid for saucepans and similar utensils having a hole for the escape of steam, a diaphragm fixed over the hole to deflect said steam, and a handle above the diaphragm, substantially as specified and illustrated. (2.) A lid for saucepans and similar utensils constructed and arranged substantially as set forth, and illustrated in the drawing.

(Specification, 1s. 6d.; drawing, 1s.)

No. 20980.—11th April, 1906.—ERNEST JAMES VINING, of Raglan Street, Yea, Victoria, Australia, Carpenter, and GEORGE DAVID WEIR, of High Street, Yea aforesaid, Carpenter. Improvements in shunter's railway-wagon-moving mechanism and the like.

Claims.—(1.) In vehicle-moving mechanism, the adjustable shaft *g*, having at one end means for its rotation, and at the other end means for driving the vehicle by means of gearing, and means for supporting the shaft in each of its positions, all substantially as described. (2.) In combination with the matter of Claim 1, a rod as *p*, with spring-actuating means, located above the shaft *g*, substantially as described. (3.) In vehicle-moving mechanism, the described hinged spring-actuated shaft end support. (4.) As vehicle-moving mechanism, the respective parts shown in Fig. 1, in combination, substantially as described. (5.) As vehicle-moving mechanism, the respective parts shown in Fig. 2, in combination, substantially as described.

(Specification, 3s. 6d.; drawing, 1s.)

No. 21006.—18th April, 1906.—JOHANN RUSP, of Stockdorf, near Planegg, Bavaria, Germany, Gentleman. Improvements in flexible wheels.

Extract from Specification.—The present invention relates to a flexible wheel of that class in which spiral springs are arranged between the hub and the felly, the latter being connected with the hub either by flexibly mounted or spring-operated spokes. The connection of the springs and spokes is made in such a manner that for fixing the spokes to the felly links or pivots are used, whilst the hub is provided with rods or links, which permit radial movement to said hub.

[NOTE.—The above extract from the specification is inserted in place of the claims.]

(Specification, 4s. 6d.; drawings, 3s.)

No. 21031.—24th April, 1906.—WILLIAM RICHARD PARCELL, Jun., of Bannockburn, Otago, New Zealand, Miner. A device to prevent the bursting of cocks used for the passage of water when subjected to the action of frost.

Claim.—The making of a small hole or opening through one side of the plugs used in cocks so as to form a passage for the escape of water from the central cavity of such plugs when the cocks are shut.

(Specification, 1s. 6d.; drawing, 1s.)

No. 21086.—4th May, 1906.—DONALD MCKENZIE, of Invercargill, New Zealand, Flax-miller. An improved method of attaching tags or brands to bales of flax and the like.

Claim.—The improved method of attaching brands or tags to bales of flax and the like, consisting in the employment of two or more tags or plates, each being impressed with similar marks and connected together by wire or the like, such tags or plates being attached to the bales during the process of baling in such a manner that one of them shall be closed within the centre of the bale, while the remainder are upon the outside thereof.

(Specification, 1s. 6d.)

An asterisk (*) denotes the complete specification of an invention for which a provisional specification has been already lodged.

NOTE.—The cost of copying the specification and drawing has been inserted after the notice of each application. An order for a copy or copies should be accompanied by a post-office order or postal note for the cost of copying.

The date of acceptance of each application is given after the number.

Extracts from the drawings accompanying the foregoing complete specifications appear at the end of this *Gazette*.

F. WALDEGRAVE,
Registrar.

Provisional Specifications accepted.

Patent Office,
Wellington, 16th May, 1906.

APPPLICATIONS for Letters Patent, with provisional specifications, have been accepted, as under:—

- No. 20782.—J. H. Rush, clothes-prop.
- No. 20801.—R. Walker, milk-strainer.
- No. 20864.—E. W. Ackland, elastic feet for legs of tables, chairs, &c.
- No. 20875.—C. J. Tuck, shackle.
- No. 20876.—C. J. Tuck, shaft-tug.
- No. 20888.—D. Morgan, mineral-saving riffling-device.
- No. 20898.—J. H. Suckling, carburetter.
- No. 20922.—W. Wilson, binding button-holes.
- No. 20923.—J. T., W. S., and C. J. H. Payne and A. W. Smith, railway-vehicle coupling.
- No. 20928.—E. L. Lundström, cutting sheaf-bands.
- No. 20955.—A. L. J. Tait, stripping and treating flax fibre leaves.
- No. 20971.—K. Matthews, non-refillable bottle.
- No. 20976.—E. Broughton, measuring, fitting, &c., clothing.
- No. 20977.—E. Dane, hydraulic ram.
- No. 20978.—J. R. Parker, steadying ladders.
- No. 20981.—J. McNally, fencing-dropper.
- No. 20986.—W. Beamish, office forms.
- No. 21013.—F. J. Corbett, food and tonic.
- No. 21042.—A. McLeod, mineral-saver.

NOTE.—Provisional specifications cannot be inspected, or their contents made known by this office in any way, until the complete specifications in connection therewith have been accepted.

Letters Patent sealed.

LIST of Letters Patent sealed from the 3rd to the 16th May, 1906, inclusive:—

- No. 18736.—T. B. O'Connor, bit and bridle.
- No. 18767.—J. Dignan, castrating-instrument.
- No. 18867.—F. J. Brown, cow-bail.
- No. 18868.—F. J. Brown, leg-roping appliance.
- No. 18940.—G. Carrington, pea-sheller.
- No. 18941.—G. Carrington, gate.
- No. 18945.—R. Walker, milk-can.
- No. 18951.—H. Rands, marbling or figuring process.
- No. 18984.—E. R. Godward, drawing off water from tanks.
- No. 19003.—H. P. Saunders, motor.
- No. 19012.—A. Parker, voting-machine.
- No. 19030.—J. H. McFaulane, cycle-pedal gear.
- No. 19031.—R. Wales, mitre-cutter.
- No. 19101.—R. N. Adams and A. R. Hardy, sash mover and lock.

No. 19127.—W. E., J. T., and A. G. Catesby, floor-coverings.

- No. 19946.—D. Halpin, thermal-storage apparatus.
- No. 19961.—J. I. Moss, window-lock.
- No. 19962.—J. G. Leyner, rock-drill.
- No. 20019.—Pintsch's Patent Lighting Company, Limited, gas-lamp. (J. Pintsch.)
- No. 20081.—E. M. Houghton, blackleg vaccine.
- No. 20138.—H. E. Dade, binder.
- No. 20143.—B. Clark, meat-extract apparatus.
- No. 20144.—B. Clark, meat-preserving process.
- No. 20161.—W. Anderson, jun., supplying liquid fuel to furnace.
- No. 20170.—P. Andersen, milking-apparatus.
- No. 20184.—R. W. Stuart, petroleum-gas burner.
- No. 20217.—American Seeding Machine Company, seeding-machine distributor. (F. G. Colley and E. Baseman.)
- No. 20248.—G. C. de Witt, treating antimonial ores.
- No. 20294.—W. A. H. Cameron and J. W. Marshall, washing drinking-glasses.
- No. 20339.—T. H. Wilson, journal-bearings.
- No. 20348.—A. J. C. Hugo, locomotive-valve setting-machine.
- No. 20349.—The Arcanum, Limited, manufacture of mineral waters. (L. J. Moser.)
- No. 20350.—J. R. Park, waterproof fabric. (L. A. Bond.)
- No. 20351.—R. G. Gibbons, dynamo electric generator. (P. Rabbidge.)
- No. 20368.—A. W. Loone, bicycle toe-clip. (W. Kilworth.)
- No. 20422.—G. J. Henry, jun., hydraulic nozzle.
- No. 20442.—B. T. R. Greensill, egg-beater holder.
- No. 20447.—E. C. Kilgour, acetylene-generator.
- No. 20528.—L. Serpollet, steam-engine.
- No. 20548.—T. L. Willson, buoy.
- No. 20549.—F. W. Klever, lubricating, &c., oils.

Letters Patent on which Fees have been paid.

[NOTE.—The dates are those of the payments.]

SECOND-TERM FEES.

- N**O. 14541.—J. Bedford and T. F. Longland, windmill. 23rd February, 1906.
- No. 14808.—J. Murison and C. L. Watt, securing sleeve to dredge-tumbler. 26th April, 1906.
- No. 14849.—J. H. A. McPhee, separating magnetic materials. 2nd May, 1906.
- No. 14859.—H. Gunn and A. G. Kenderdine, spark-arrester. 4th May, 1906.
- No. 14866.—The Christchurch Brick Company, Limited, slaking lime. (E. J. Parrott.) 5th May, 1906.
- No. 14883.—F. C. Brown and S. D. McMiken, vessel for treating ores. 1st May, 1906.
- No. 14950.—F. Lobnitz, rock-cutter. 3rd May, 1906.
- No. 15150.—The Vacuum Cleaner Company, Limited, dust-extractor. (H. C. Booth.) 9th May, 1906.

THIRD-TERM FEES.

- No. 11650.—F. Krupp, ball grinding mill. (W. Stamm—H. L. Sulman.) 1st May, 1906.
- No. 11800.—H. Lyon and J. B. Talbot-Crosbie, refrigerating-apparatus. 9th May, 1906.

Subsequent Proprietors of Letters Patent registered.

[NOTE.—The name of the patentee is given in brackets; the date is that of registration.]

- N**O. 16678.—The Self-charging Vertical Gas Retorts, Limited, of 28 Victoria Street, in the City of Westminster, London, England. Manufacture of coal-gas. [W. E. Hughes—T. Settle and W. A. Padfield.] 7th May, 1906.
- No. 18989.—Edward Charles Evelyn Mills, Merchant, and Wilfred Cecil Kellow, Accountant, both of the City of Wellington, in the Colony of New Zealand, and Richard Michael Carroll, also of the said City of Wellington, Engineer. Pipe-wrench and spanner. [R. M. Carroll.] 18th April, 1906.

Request for Correction of Clerical Error allowed.

THE request to correct the clerical error in the specification in connection with application for Letters Patent No. 20326—T. H. Hawkins, lamp and generator (advertised in Supplement to *New Zealand Gazette*, No. 6, of the 25th January, 1906)—has been allowed.

Applications for Letters Patent abandoned.

LIST of applications for Letters Patent, with which provisional specifications only have been filed, abandoned (i.e., complete specifications not lodged), from the 3rd to the 16th May, 1906, inclusive:—

- No. 19664.—K. C. Gillette, bottle seal.
 No. 19669.—J. E. Holland, screening gravel, &c.
 No. 19671.—G. H. Hyams, hat-grip.
 No. 19672.—A. Falkner, drying perishable products.
 No. 19673.—G. M. Ivey, tray for gas-stove.
 No. 19674.—A. J. G. Schmitt, game.
 No. 19676.—H. F. Mander, drilling-machine.
 No. 19677.—J. Robinson and W. Stocks, non-puncturable tire.
 No. 19686.—W. H. Bryant, matchbox-filling machine.
 No. 19687.—W. Mizon, stereoscope.
 No. 19688.—F. G. Norton, egg-carrier.
 No. 19691.—C. J. Clayton and H. Lightband, sole-rounding machine.
 No. 19697.—J. Baxter, sash raiser and lock.
 No. 19698.—A. Anderson, music-teaching apparatus.
 No. 19699.—K. McDonald, measuring and delivering milk.
 No. 19702.—W. Spencer, toasting-device.
 No. 19703.—T. W. Park, water-flush.
 No. 19705.—H. N. Maddox, scourer and mop.
 No. 19706.—H. N. Maddox, mop.
 No. 19708.—A. J. Border, advertising figure.
 No. 19710.—D. Charleston, puncture-sealing compound.
 No. 19717.—G. H. White, ticket-holder.
 No. 19718.—J. W. Tucker, tap.
 No. 19719.—G. C. Nicholson, window-lock.
 No. 19722.—E. Moss, connecting trolley with wire.
 No. 19723.—G. Smith, erasing impression from phonograph record.
 No. 19724.—P. J. Capner, adjustable spring device.
 No. 19727.—F. Wolff, F. Elvines, and T. Hall, inkpot and penholder.
 No. 19731.—F. J. W. Gascoyne, tire-protector.
 No. 19733.—T. Vivian, pumice treatment.
 No. 19734.—J. Davis, making oakum from flax-tow.
 No. 19739.—J. Smail, heating system for buildings.
 No. 19740.—R. Wales, mitre-box and frame-clamp.

Applications for Letters Patent void.

APPLICATIONS for Letters Patent, with which complete specifications have been lodged, void owing to non-acceptance of such complete specifications, from the 3rd to the 16th May, inclusive:—

- No. 19065.—C. S. Hawkeswood, brick and slab for building.
 No. 19077.—A. F. Thompson, deodorant and disinfectant.
 No. 19084.—A. J. Hutchinson, puzzle.
 No. 19092.—A. Cheers and A. G. Kennedy, boiler cleaning and purifying solution.

Applications for Letters Patent lapsed.

LIST of applications for Letters Patent lapsed, owing to Letters Patent not being sealed, from the 3rd to the 16th May, 1906, inclusive:—

- No. 18687.—J. D. Jackson, gas-burner for bath-heater, &c.
 No. 18697.—J. Pugh, consumption-cure.
 No. 18742.—A. Scherer, hand seed-drill and cultivator.
 No. 18753.—C. J. Honore, milk-cooler.
 No. 18754.—L. Adamson, rain-water collector.

Letters Patent void.

LIST of Letters Patent void, through non-payment of renewal fees and through expiry of term of fourteen years, from the 3rd to the 16th May, 1906, inclusive:—

THROUGH NON-PAYMENT OF SECOND-TERM FEES.

- No. 14493.—Fresh Air and Safety Sash Fastener Company, Limited, sash-fastener. (R. Williams.)
 No. 14494.—G. Westinghouse, treating copper-ores. (W. J. Knox.)
 No. 14497.—J. H. R. Taylor, branding cheese.
 No. 14498.—P. Rabbidge, connecting alarm-call to telephone exchange.
 No. 14503.—B. Benkel, cigarette-holder.
 No. 14509.—W. H. Madill, pump.

No. 14512.—A. W. Memory and F. G. Hind, adjusting chair-back, &c.

No. 14514.—J. Greenacre, log-sawing machine.

No. 14515.—W. Keane and B. Hogg, agitating auriferous material.

No. 14519.—J. L. Ferrell, wood-preserving.

No. 14520.—I. M. Clark, safety-wheel for child's chair.

No. 14521.—E. A. Slack, dental suction-cell. (T. Slack.)

No. 14522.—F. Wiggins, pulley-clutch.

No. 14523.—H. B. Newton, hand tacking-tool. (A. Hebert.)

No. 14525.—W. Stewart, copying-ink.

No. 14531.—N. G. McKay, tin bottle for drenching cattle.

No. 14533.—W. Over and A. Hanna, antiseptic dressing.

No. 14536.—O. B. H. Hanneborg, excavator.

THROUGH NON-PAYMENT OF THIRD-TERM FEE.

No. 11382.—W. Andrews and A. W. Beaven, seed-cleaner.

THROUGH EXPIRY OF TERM.

No. 5547.—J. A. Bonsack, cigarette-machine.

Design registered.

A DESIGN has been registered in the following name on the date mentioned:—

No. 281.—Eleanor Frances Chatfield, of Auckland, in the Provincial District of Auckland, and Colony of New Zealand, Spinster. Class 1. 5th May, 1906.

Applications for Registration of Trade Marks.

Patent Office,
Wellington, 16th May, 1906.

APPLICATIONS for registration of the following Trade Marks have been received. Notice of opposition to the registration of any of these applications may be lodged at this office within two months of the date of this *Gazette*. Such notice must be in duplicate, and accompanied by a fee of £1.

No. of application: 5892.

Date: 10th April, 1906.

TRADE MARK.

**CONCENTRATED
GLUE SIZE**

Thistle



Brand.

PURE.

DIRECTIONS.

For use as Size.—To each pound of this Size add about 1 gallon of boiling water, and keep stirred till thoroughly dissolved.

For use as Glue.—To pound of Size add about $\frac{1}{2}$ pints of hot water, and boil for a few minutes in the glue pot.

The essential particular of this trade mark is the design of a thistle: and any right to the exclusive use of the added words is disclaimed.

NAME.

NEW ZEALAND GLUE COMPANY, LIMITED, of Onehunga, Auckland, in the Colony of New Zealand.

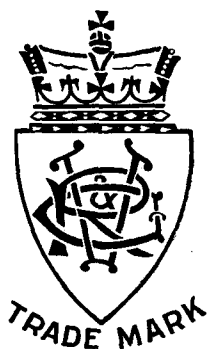
No. of class : 1.

Description of goods : Concentrated glue size and powdered glue.

No. of application : 5910.

Date : 19th April, 1906.

TRADE MARK



The applicant claims that the said trade mark has been in use by him and his predecessors in business in respect of the articles mentioned for the past twenty years.

NAME.

S. F. PERRY, of Stone, Staffordshire, England.

No. of class : 38.

Description of goods : Boots, shoes, and slippers.

No. of application : 5924.

Date : 1st May, 1906.

TRADE MARK.



The essential particulars of this trade mark are the words "The Gladiator" and the device; and any right to the exclusive use of the added matter is disclaimed.

NAME.

THE WELSBACH INCANDESCENT LIGHT COMPANY OF AUSTRALASIA, LIMITED, of Victoria Street, Wellington, in the Colony of New Zealand.

No. of class : 15.

Description of goods : Glassware, chimneys and globes of all kinds for lamps.

No. of application : 5926.

Date : 2nd May, 1906.

TRADE MARK.



The essential particulars of the trade mark are the following: the combination of devices and the words "Pinxter" and "Androsphinx"; and any right to the exclusive use of the added matter is disclaimed.

NAME.

PINXTERCO, LIMITED, of 135 Prins Hendrikkade, Amsterdam, Holland, Manufacturers.

No. of class : 42.

Description of goods : Cheese.

No. of application : 5928.

Date : 3rd May, 1905.

TRADE MARK.

The word

PANYAN.

NAME.

MACONOCHE BROS., LIMITED, of Maconochie's Wharf, Millwall, London, E., England, Preserved Provision Merchants and Manufacturers.

No. of class : 42.

Description of goods : Substances used as food or as ingredients in food.

No. of application : 5929.

Date : 3rd May, 1906.

TRADE MARK.

The word

"BALLISTITE."

NAME.

NOBEL'S EXPLOSIVES COMPANY, LIMITED, a corporation duly organized under the laws of Great Britain, and located in the City of Glasgow, County of Lanark, Scotland, Great Britain, and doing business at Nobel House, 195 West George Street, in the said city.

No. of class : 20.

Description of goods : Explosive substances,

No. of application : 5930.
Date : 5th May, 1906.



The essential particulars of this trade mark are the initial signature and scroll thereunder, the bar, and the word "Mazonet"; and any right to the exclusive use of the words "Farm" and "Trade Mark" is disclaimed.

NAME.

FRANCIS GARDEN BROWN, of Trentham, near Wellington, in the Colony of New Zealand, Poultry-farmer.

No. of class : 42.
Description of goods : Dead poultry and eggs.

No. of application : 5935.
Date : 8th May, 1906.

TRADE MARK.

The word

"TELL-TALE."

NAME.

CHARLES ZIELE, of Lichfield Street, Christchurch, in the Provincial District of Canterbury, in the Colony of New Zealand, Importer.

No. of class : 50.
Description of goods : Sanitary polish and polishing creams for floors, floor-coverings, furniture, boots, shoes, and leather.

No. of application : 5936.
Date : 8th May, 1906.

TRADE MARK.

The words

"PRICE'S MIXTURE."

The applicant claims that the said trade mark has been used by him in respect of the article mentioned continuously from the year 1888 to the present time.

NAME.

CHARLES DICKINSON, of Dunedin, in the Colony of New Zealand, Tobacconist.

No. of class : 45.
Description of goods : Tobacco.

B

No. of application : 5938.
Date : 8th May, 1906.

TRADE MARK.

The word

"MARITANGI."

NAME.

CHARLES DICKINSON, of Dunedin, in the Colony of New Zealand, Tobacconist.

No. of class : 45.
Description of goods : Tobacco and cigarettes.

No. of application : 5942.
Date : 8th May, 1906.

TRADE MARK.

The word

"MARITANGI."

NAME.

CHARLES DICKINSON, of Dunedin, in the Colony of New Zealand, Tobacconist.

No. of class : 50.
Description of goods : Tobacco-pipes.

No. of application : 5945.
Date : 9th May, 1906.

TRADE MARK.

The words

"JACKSON'S ANVIL OINTMENT."

The essential particular of this trade mark is the word "Anvil"; and any right to the exclusive use of the word "Ointment" is disclaimed.

NAME.

JOSEPH JOHN JACKSON, of Martinborough, Wairarapa, in the Colony of New Zealand, Blacksmith.

No. of class : 2.
Description of goods : Ointment.

No. of application : 5946.
Date : 9th May, 1906.

TRADE MARK.

The words

"JACKSON'S ANVIL OINTMENT."

The essential particular of this trade mark is the word "Anvil"; and any right to the exclusive use of the word "Ointment" is disclaimed.

NAME.

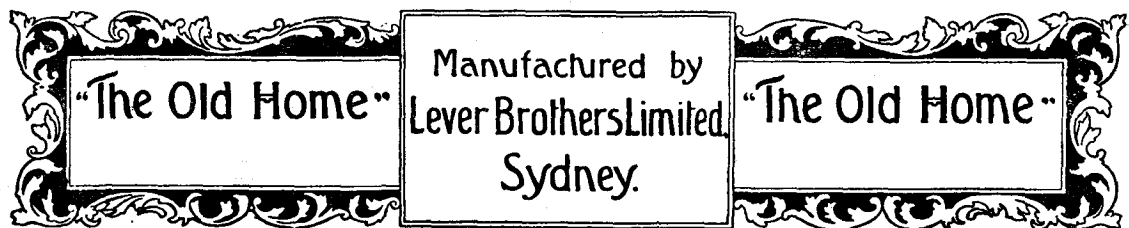
JOSEPH JOHN JACKSON, of Martinborough, Wairarapa, in the Colony of New Zealand, Blacksmith.

No. of class : 3.
Description of goods : Ointment.

No. of application: 5947.

Date: 9th May, 1906.

TRADE MARK.



The essential particulars of the trade mark are the device and the distinctive label; and the applicants disclaim any right to the exclusive use of the added matter, except their name and address and the word "Home" registered separately as a trade mark.

NAME.

LEVER BROS., LIMITED, of Balmain, near Sydney, State of New South Wales, Commonwealth of Australia. Manufacturers.

No. of class: 47.

Description of goods: Common soap, soap-powders, candles, matches, starch, blue, washing-soda, detergents; and oil for illuminating, heating, or lubricating purposes.

No. of application: 5948.

Date: 9th May, 1906.

TRADE MARK.

(The mark as shown in preceding notice, No. 5947.)

The essential particulars of the trade mark are the device and the distinctive label; and the applicants disclaim any right to the exclusive use of the added matter, except their name and address and the word "Home" registered separately as a trade mark.

NAME.

LEVER BROS., LIMITED, of Balmain, near Sydney, State of New South Wales, Commonwealth of Australia, Manufacturers.

No. of class: 48.

Description of goods: Perfumed soap, perfumery, and glycerine for toilet purposes.

No. of application: 5949.

Date: 9th May, 1906.

TRADE MARK.

The word

HYGEIA

NAME.

LEVER BROS., LIMITED, of Balmain, near Sydney, State of New South Wales, Commonwealth of Australia, Manufacturers.

No. of class: 47.

Description of goods: Common soap, soap-powders, candles, matches, starch, blue, washing-soda, detergents; and oil for illuminating, heating, or lubricating purposes.

No. of application : 5950.

Date : 9th May, 1906.

TRADE MARK.

(The mark as shown in preceding notice, No. 5949.)

NAME.

LEVER BROS., LIMITED, of Balmain, near Sydney, State of New South Wales, Commonwealth of Australia, Manufacturers.

No. of class : 48.

Description of goods : Perfumed soap, perfumery, and glycerine for toilet purposes.

No. of application : 5958.

Date : 14th May, 1906.

TRADE MARK.



The essential particulars of this trade mark are the distinctive label—signature, device, and letters in combination therewith; and applicant disclaims any right to the exclusive use of the added matter, except his name and address.

NAME.

EDWARD SHEPHERD DIXON, of Fitzherbert Street, Palmerston North, in the Colony of New Zealand, Aerated Waters and Cordial Manufacturer; factory known as "Dixon's."

No. of class : 42.

Description of goods : Beverages.

F. WALDEGRAVE,
Registrar.

Trade Marks registered.

LIST of Trade Marks registered from the 3rd to the 16th May, 1906, inclusive:—

No. 4522; 5724.—Neill and Co., Limited; Class 50. (Gazette No. 6, of the 25th January, 1906.)

No. 4523; 5736.—Lever Bros., Limited; Class 47. (Gazette No. 10, of the 8th February, 1906.)

No. 4524; 5737.—Lever Bros., Limited; Class 48. (Gazette No. 10, of the 8th February, 1906.)

No. 4525; 5718.—Bond and Bell; Class 42. (Gazette No. 10, of the 8th February, 1906.)

No. 4526; 5774.—Gollin and Company Proprietary, Limited; Class 42. (Gazette No. 15, of the 22nd February, 1906.)

No. 4527; 5771.—Cocoa and Chocolate Company, Limited; Class 42. (Gazette No. 15, of the 22nd February, 1906.)

No. 4529; 5663.—A. Levy; Class 45. (Gazette No. 2, of the 11th January, 1906.)

No. 4530; 5719.—Aerators, Limited; Class 8. (Gazette No. 6, of the 25th January, 1906.)

No. 4531; 5734.—J. Knight and Sons, Limited; Class 48. (Gazette No. 10, of the 8th February, 1906.)

No. 4532; 5735.—S. Allsopp and Sons, Limited; Class 43. (Gazette No. 10, of the 8th February, 1906.)

No. 4533; 5748.—The British Empire Trading Company, Limited; Class 45. (Gazette No. 10, of the 8th February, 1906.)

No. 4534; 5264.—Smallbone, Grace, and Co., Limited; Class 42. (Gazette No. 42, of the 4th May, 1905.)

No. 4535; 5785.—F. Wilkinson; Class 3. (Gazette No. 15, of the 22nd February, 1906.)

No. 4536; 5496.—E. T. C. Firth; Class 50. (Gazette No. 82, of the 7th September, 1905.)

No. 4537; 5419.—Strauss and Co.; Class 43. (Gazette No. 2, of the 11th January, 1906.)

No. 4538; 5567.—J. Farrow; Class 42. (Gazette No. 6, of the 25th January, 1906.)

No. 4539; 5688.—Simmons Hardware Company; Class 13. (Gazette No. 2, of the 11th January, 1906.)

No. 4540; 5699.—G. Cradock and Co.; Class 5. (Gazette No. 2, of the 11th January, 1906.)

No. 4541; 5700.—G. Cradock and Co.; Class 13. (Gazette No. 2, of the 11th January, 1906.)

No. 4542; 5708.—W. Hunt and Sons, The Brades, Limited; Class 12. (Gazette No. 6, of the 25th January, 1906.)

No. 4543; 5709.—W. Hunt and Sons, The Brades, Limited; Class 13. (Gazette No. 6, of the 25th January, 1906.)

No. 4544; 5710.—W. Hunt and Sons, The Brades, Limited; Class 12. (Gazette No. 6, of the 25th January, 1906.)

No. 4545; 5711.—W. Hunt and Sons, The Brades, Limited; Class 13. (Gazette No. 6, of the 25th January, 1906.)

No. 4546; 5712.—W. Hunt and Sons, The Brades, Limited; Class 12. (Gazette No. 6, of the 25th January, 1906.)

No. 4547; 5713.—W. Hunt and Sons, The Brades, Limited; Class 13. (Gazette No. 6, of the 25th January, 1906.)

No. 4548; 5769.—L. Anderson; Class 42. (Gazette No. 19, of the 8th March, 1906.)

No. 4549; 5219.—Osmonds, Limited; Class 22. (Gazette No. 38, of the 20th April, 1905.)

No. 4550; 5786.—The Burmah Oil Company, Limited; Class 47. (Gazette No. 19, of the 8th March, 1906.)

No. 4551; 5292.—W. Gregg and Co., Limited; Class 42. (Gazette No. 71, of the 27th July, 1905.)

Subsequent Proprietor of Trade Mark registered.

[NOTE.—The name of the former proprietor is given in brackets; the date is that of registration.]

No. 4044/3189.—James Wright, of Wellington, in the Colony of New Zealand, Cabinetmaker. [P. Gill.] 10th April, 1906.

Trade Marks removed from the Register.

TRADE Marks removed from the Register, owing to the non-payment of the renewal fees, from the 3rd to the 16th May, 1906, inclusive:—

No. 404/436.—5th February, 1892.—J. and W. Nicholson and Co., of London, England. Class 43.

No. 406/306.—15th February, 1892.—W. Radam, of New York, U.S.A. Class 3.

No. 407/307.—15th February, 1892.—Kerr and Co., Limited, of Paisley, Scotland. Class 23.

No. 408/322.—15th February, 1892.—Kerr and Co., Limited, of Paisley, Scotland. Class 23.

Application for Trade Mark withdrawn.

THE following application for Trade Mark has been withdrawn:—

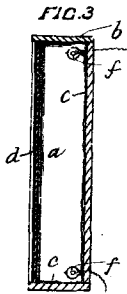
No. 5537.—Pol Roger and Co. (advertised in Supplement to New Zealand Gazette, No. 96, of the 2nd November, 1905).

Trade Mark Registration cancelled.

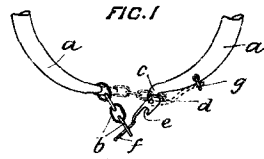
No. 1687/1343.—Robjohns, Hindmarsh, and Co., of Napier, New Zealand (advertised in Supplement to New Zealand Gazette, No. 31, of the 30th April, 1896).

ILLUSTRATIONS OF INVENTIONS.

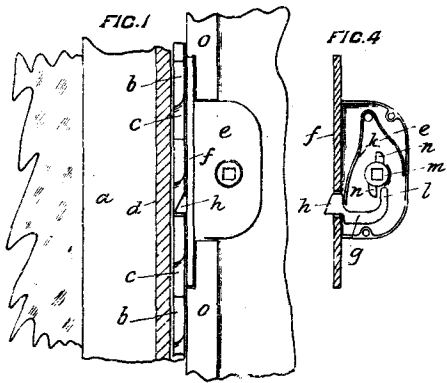
[These illustrations refer to the complete specifications accepted, and advertised in this *Gazette*.]



19262
Reid. Advertising-sign.



19434
Carter. Hames-fastener.



19457
Wylids. Window-lock.

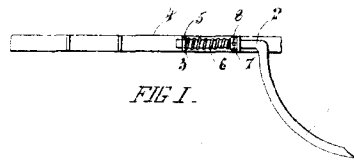
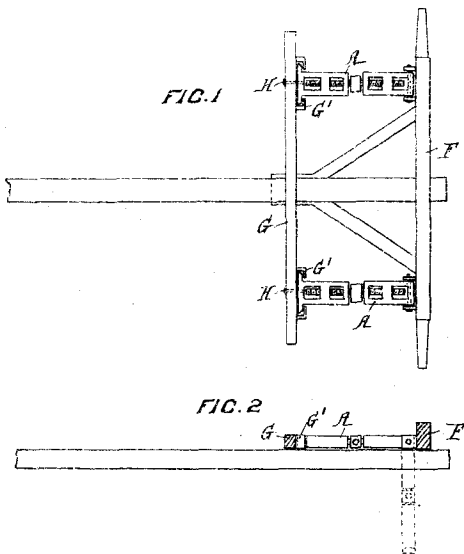
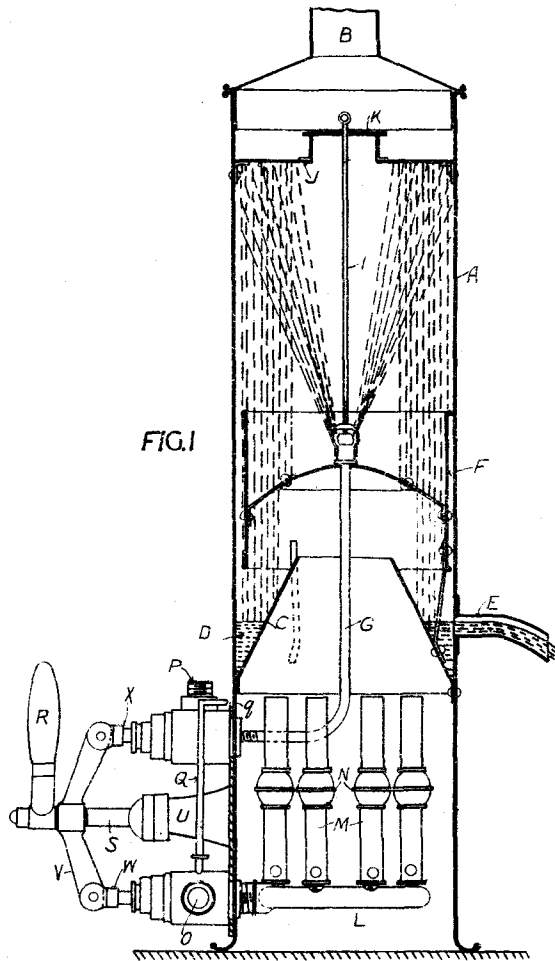


FIG. 1.

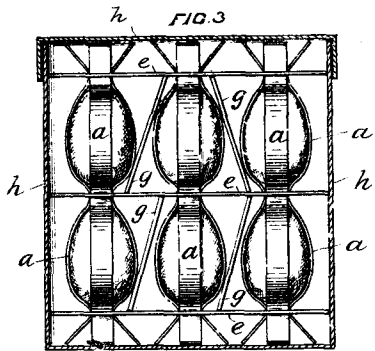
19479
Gray. Cultivator.



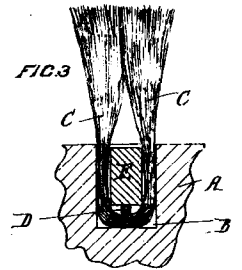
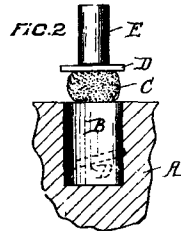
19704
Rawlitti. Wagon-jack.



19587
Hannam. Bath-water Heater.



20650
McDonald. Egg-carrier.



20686
Trevethick Brush-manufacture.

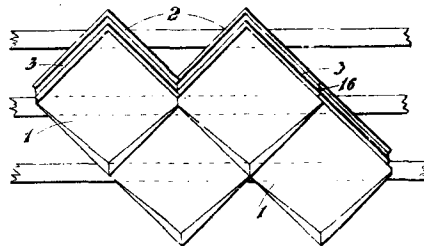


FIG. 1.

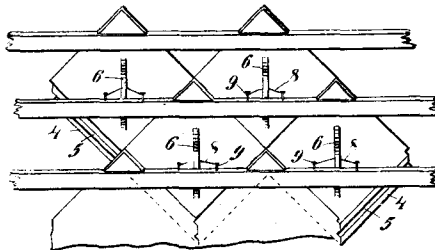
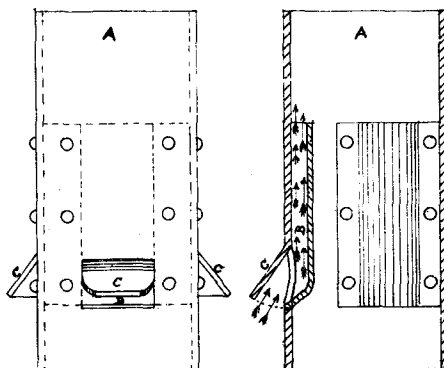
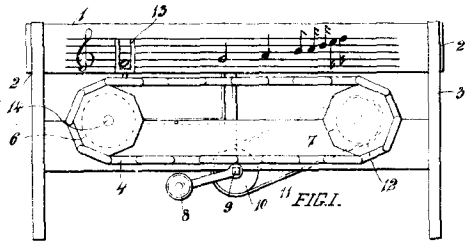


FIG. 2.

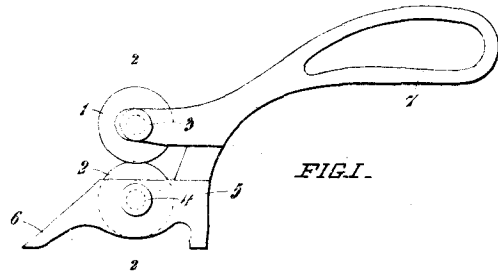
20773
Nielsen Roofing-tile.



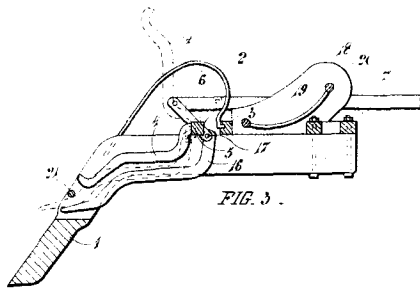
20781
Allan. Chimney.



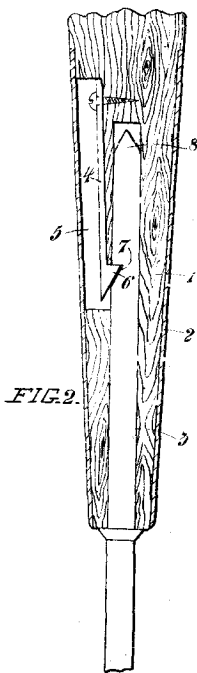
.19680
Simmonds. Music-teaching Device.



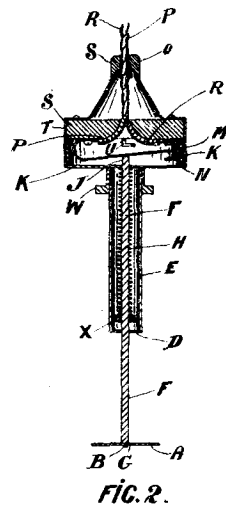
19692
Cook. Shears.



19700
McNulty. Weed-cleaner for Harrow, &c.



19743
Barrett. Tool-holder.



20173
Meddings. Fire-alarum.

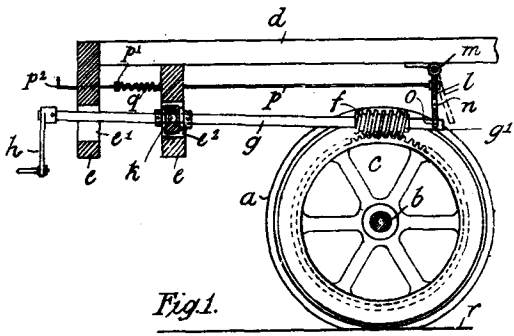
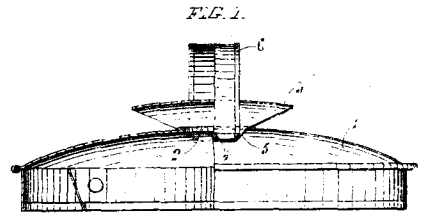
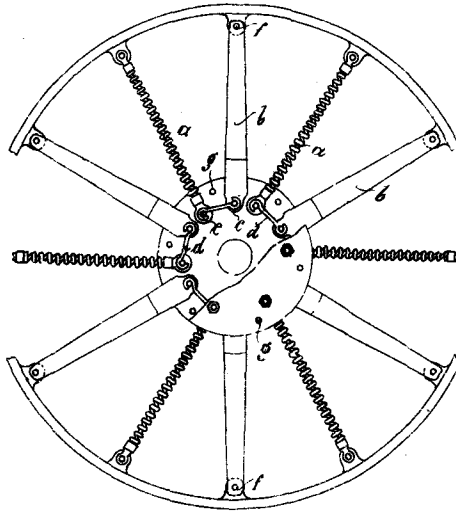


Fig. 1.

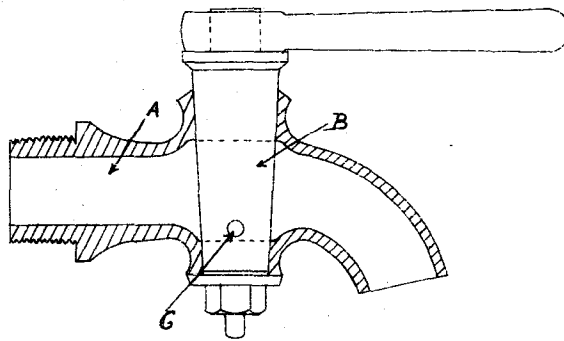
20980
Vining and Weir. Railway-wagon Mechanism.



20886
Kendrick. Saucepan-lid.



21006
Rusp. Flexible Wheel.



21031
Parcell. Water-tap.